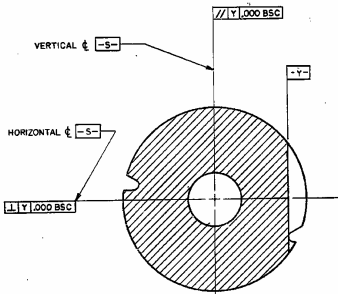
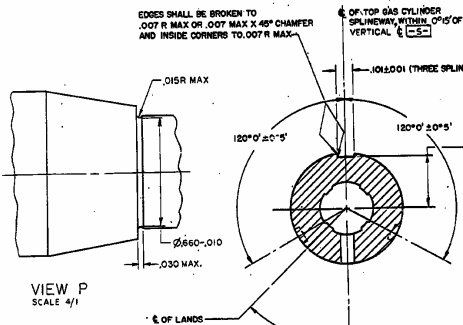


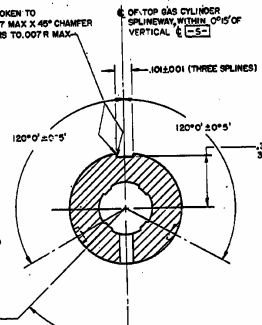
8 7 6 5 4 3 2 1



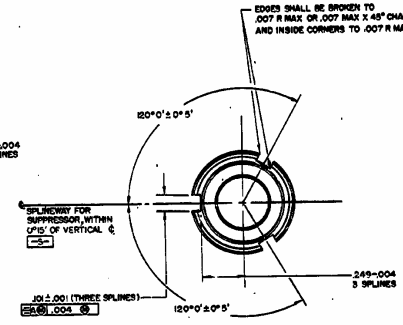
SECTION F-F
SCALE 4/1



VIEW P
SCALE 4/1

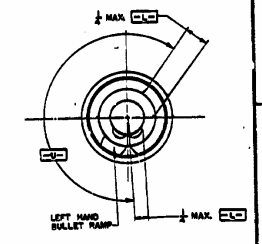


SECTION E-E
SCALE 4/1

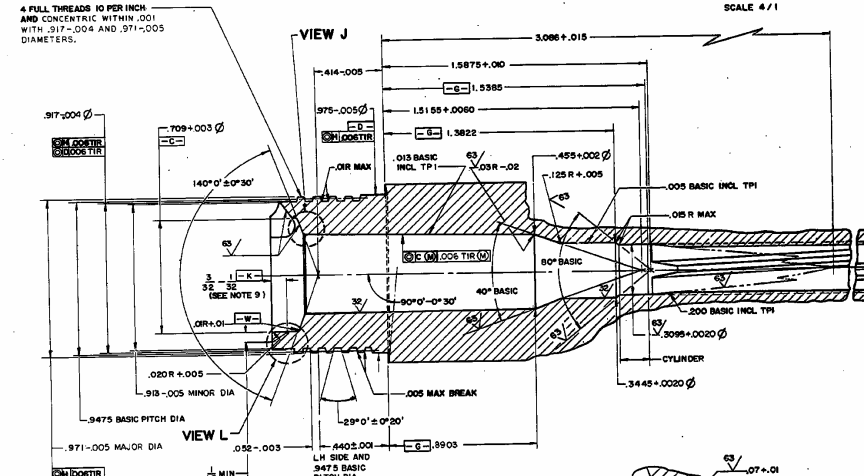


VIEW H-H
SCALE 4/1

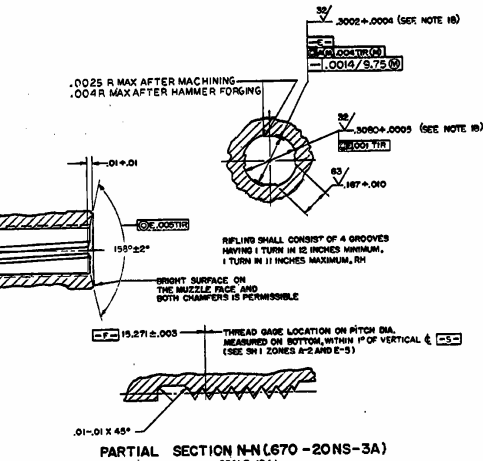
REV	DESCRIPTION	DATE	INITIALS
1	REVISED		
2	REVISED		
3	REVISED		
4	REVISED		
5	REVISED		
6	REVISED		
7	REVISED		
8	REVISED		
9	REVISED		
10	REVISED		



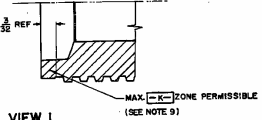
VIEW M-M (SEE NOTE 9)
SCALE 2/1



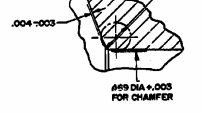
SECTION D-D
SCALE 4/1



PARTIAL SECTION N-N (670-20NS-3A)
SCALE 10/1



VIEW L
(SEE NOTE 9)



VIEW J
SCALE 10/1

www.milsurps.com

PART NO 9349847

MECHANICAL	DO NOT SCALE DIMENSIONS	UNIT OF MEASURE	U.S. ARMY AMMUNITION RESEARCH AND DEVELOPMENT CENTER
INCH	UNLESS OTHERWISE SPECIFIED DIMENSIONS ARE IN INCHES FRACTIONS ARE 1/16, .001 AND .01	INCH	CRD, WPA, SANDY, TEXAS
TEMPERATURE		TEMPERATURE	
FINISH		FINISH	
PLATING		PLATING	
MATERIAL		MATERIAL	
APPROVED		APPROVED	
DATE		DATE	
BY		BY	
FOR		FOR	
APPLICATION		APPLICATION	

BARREL	
F19200	9349847
SCALE	